

T estpassport問題集



更に上のクオリティ 更に上のサービス

一年で無料進級することに提供する
[Http://www.testpassport.jp](http://www.testpassport.jp)

Exam : **200-310**

Title : Designing for Cisco
Internetwork Solutions

Version : DEMO

1. Which two statements about designing the Data Center Access layer are correct? (Choose two.)

- A. Multiport NIC servers should each have their own IP address.
- B. Layer 3 connectivity should never be used in the access layer.
- C. Layer 2 connectivity is primarily implemented in the access layer.
- D. Multiport NIC servers should never be used in the access layer.
- E. Layer 2 clustering implementation requires servers to be Layer 2 adjacent.

Answer: C,E

2. An organization needs a WAN Transport technology that meets these criteria:

- has a low initial cost
 - provides low-to-medium BW
 - has medium-to-high latency and jitter
- Which technology should the organization use?

- A. DSL
- B. X.25
- C. ISDN
- D. wireless
- E. analog modem

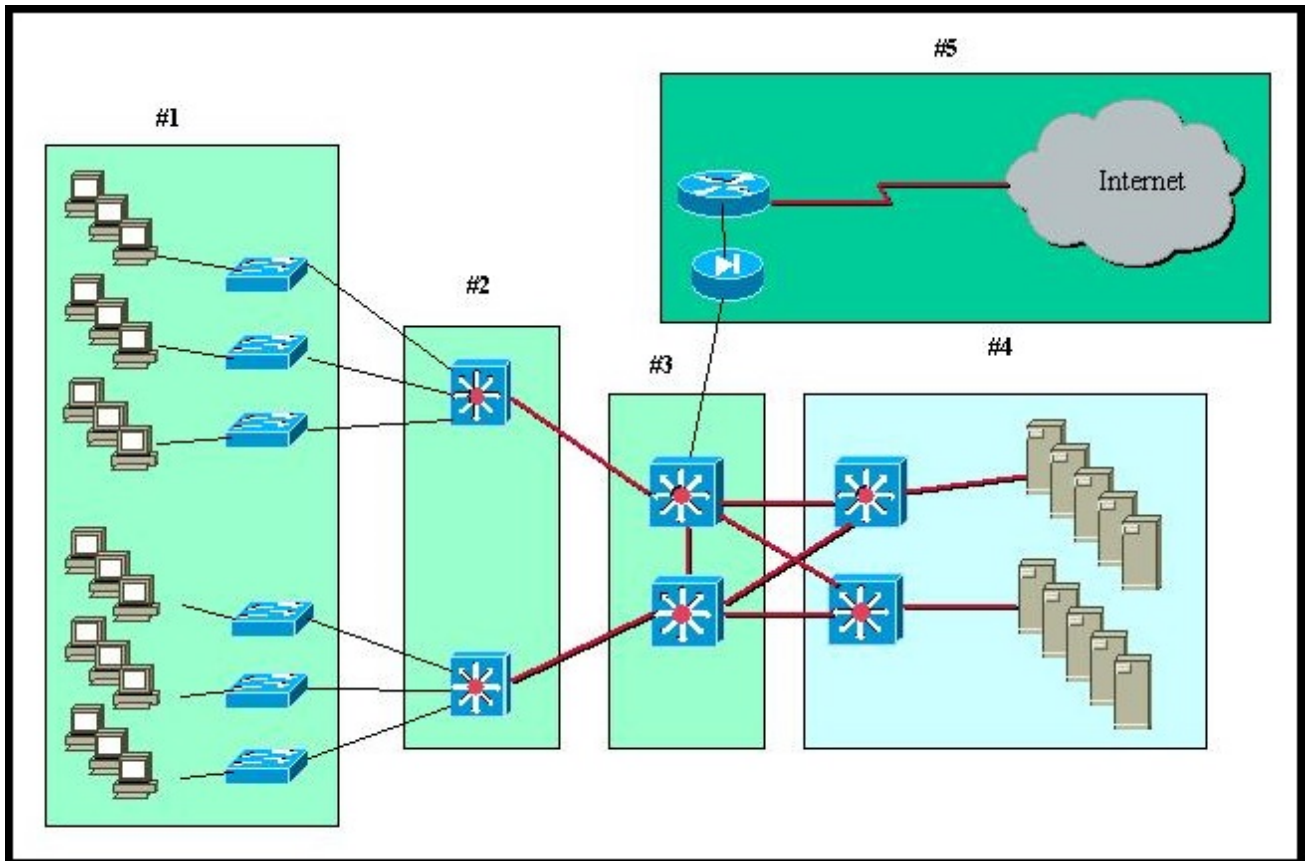
Answer: A

3. Which two of these are scalability benefits of designing a network that utilizes VPNs? (Choose two.)

- A. extends the network to remote users
- B. allows networks to be set up and restructured quickly
- C. reduces dial infrastructure expenditures
- D. reduces the number of physical connections
- E. simplifies the underlying structure of a customer WAN

Answer: D,E

4. Refer to the exhibit.



A standard Layer 2 campus network design is pictured. Which numbered box represents the core layer?

- A. #1
- B. #2
- C. #3
- D. #4
- E. #5

Answer: C

5. Which two design criteria require VLANs in a proposed solution? (Choose two.)

- A. video streaming on the LAN
- B. security between departments
- C. the segmenting of collision domains
- D. the segmenting of broadcast domains
- E. the use of multivendor equipment
- F. a limited corporate budget

Answer: B,D