

T estpassport問題集



更に上のクオリティ 更に上のサービス

一年で無料進級することに提供する
[Http://www.testpassport.jp](http://www.testpassport.jp)

Exam : **350-020**

Title : CCIE SP Optical
Qualification Exam

Version : DEMO

1.What IE is not mandatory in a Q.931 Service msg?

- A.Bearer capability
- B.Channel ID
- C.Message Type
- D.Change Status
- E.Call Reference

Correct:A

2.The purpose of Administrative Distance, as used by Cisco routers, is:

- A.To choose between routes from different routing protocols when receiving updates for the same network
- B.To identify which routing protocol forwarded the update
- C.To define the distance to the destination used in deciding the best path
- D.To be used only for administrative purposes

Correct:A

3.What is the maximum PMD value of a 100km fiber segment if the cable is specified with 0.5ps/km ? (worst case)?

- A.0.005ps
- B..05ps
- C.5ps
- D.50ps
- E.500ps

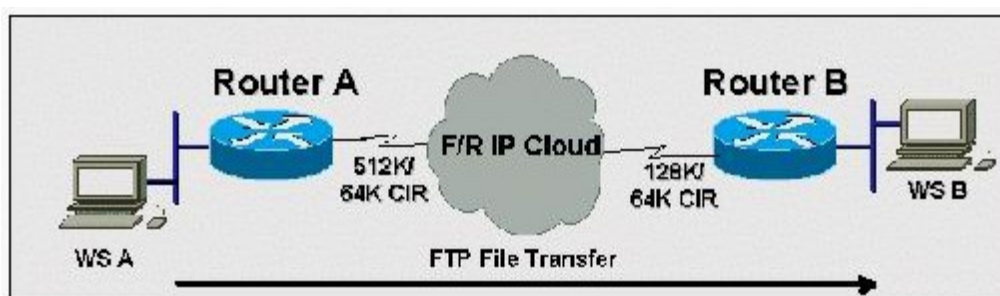
Correct:C

4.What is the equivalent of 50 GHz spacing in DWDM in terms of nm?

- A.1.6 nm
- B.0.8 nm
- C.0.4 nm
- D.0.2 nm

Correct:C

5.Click the Exhibit to view the topology. Router A has a 512K-access port into the frame relay cloud. Router B has 128K-access port into the frame relay cloud. The two routers are connected with symmetrical PVCs that are configured for 64K committed information rate (CIR). What Frame Relay Traffic Shaping map-class sub-command should be entered on Router A to prevent workstation A from overrunning the access port on Router B?



- A.frame-relay traffic-rate 128000 512000
- B.frame-relay traffic-rate 64000 512000
- C.frame-relay traffic-rate 512000 64000

D.frame-relay traffic-rate 128000 64000

E.frame-relay traffic-rate 64000 128000

Correct:E

6.If a host sends a TCP segment with the RST flag set, it means:

A.The receiver should send all data in the reassembly buffer to the application receiving it immediately.

B.The receiver should reset the session.

C.Any routers between the source and destination hosts should reset the state of the connection in their buffers.

D.The receiver should make certain its send buffer is pushed onto the wire.

Correct:B

7.How many E1 channels can STM-1 frame transport?

A.7

B.21

C.63

D.84

Correct:C

8.BGP can implement a policy of 'Route Dampening' to control route instability. What statement about route dampening is NOT correct?

A.A numeric penalty is applied to a route each time it flaps.

B.The penalty is exponentially decayed according to parameters, such as half-life-time.

C.The history of unstable routes is forwarded back to the sender to control future updates.

D.The route is eventually suppressed based on a configurable 'suppress limit'.

Correct:C

9.MPLS traffic engineering data is carried by:

A.Opaque LSAs or IS-IS TLVs

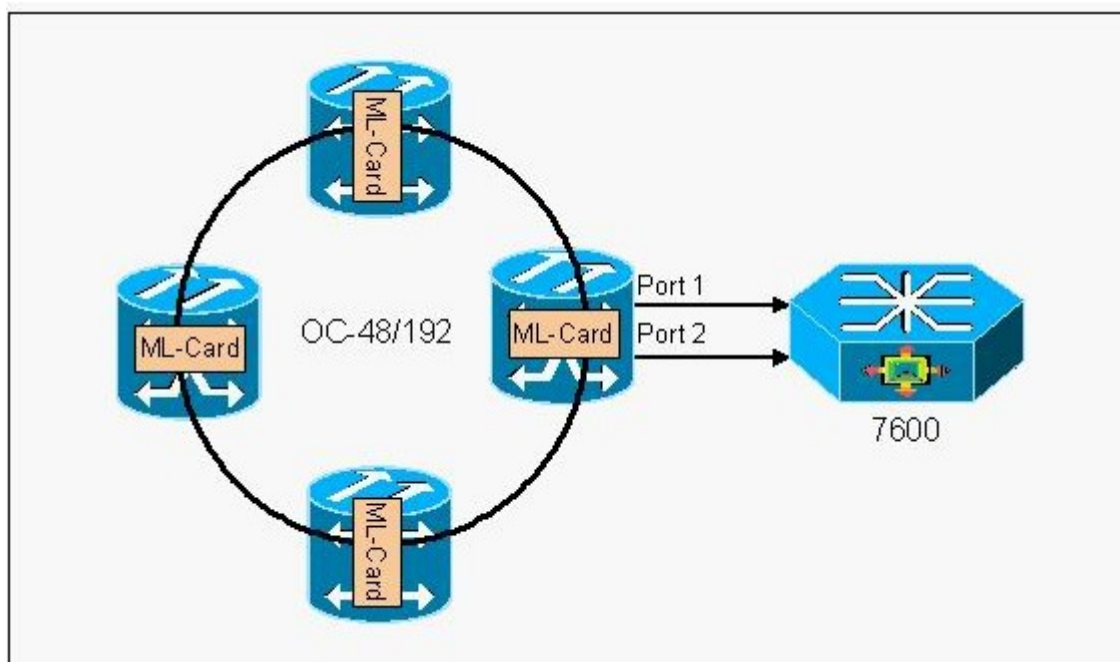
B.BGP MEDs

C.RTP or RTCP packets

D.MBGP

Correct:A

10.Click the Exhibit button. In the diagram, if a resilient packet ring (RPR) is built between ML-series cards, ____ restoration exists on the ring, while the redundant connections to the 7609 rely on ____ protection.



- A.50 ms, STP
- B.STP, STP
- C.STP, 1+1 APS
- D.50ms, 50ms

Correct:A

11.How many E-1s can be aggregated (maximum) and mapped into a VC-12 Signal?

- A.1
- B.7
- C.14
- D.28
- E.32

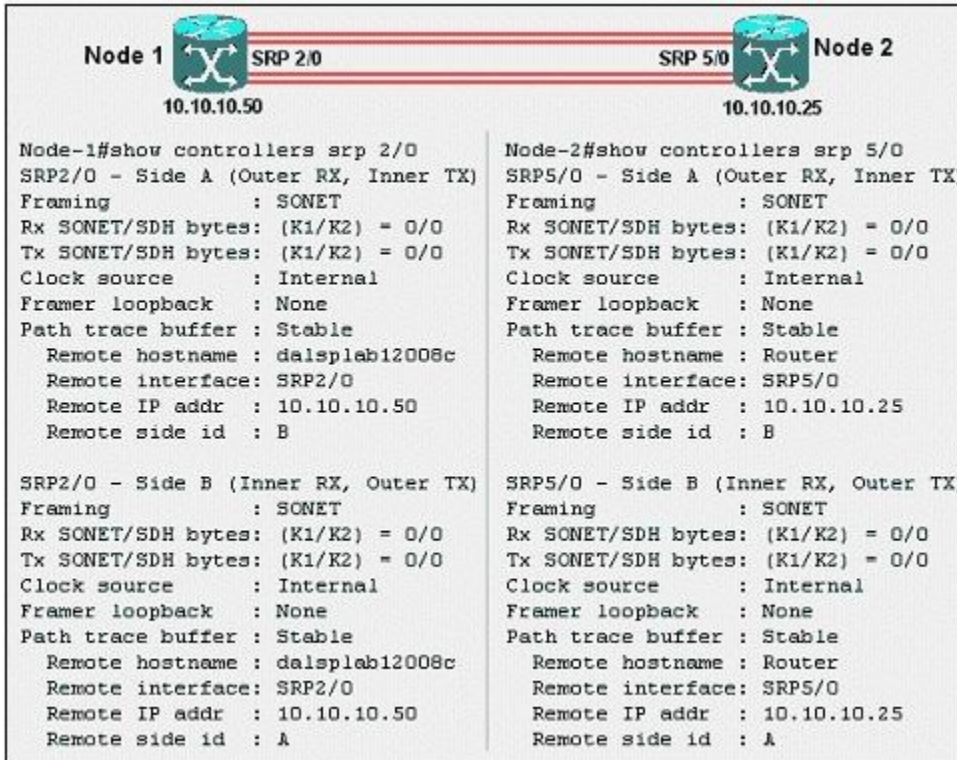
Correct:A

12.What is Fast EtherChannel?

- A.A feature to bundle multiple Ethernet point-to-point links quickly into one logical high speed link
- B.A feature to bundle multiple Fast-Ethernet point-to-point links into one logical high speed link
- C.Another name for full-duplex Fast Ethernet
- D.Another name for Gigabit Ethernet
- E.None of the above

Correct:B

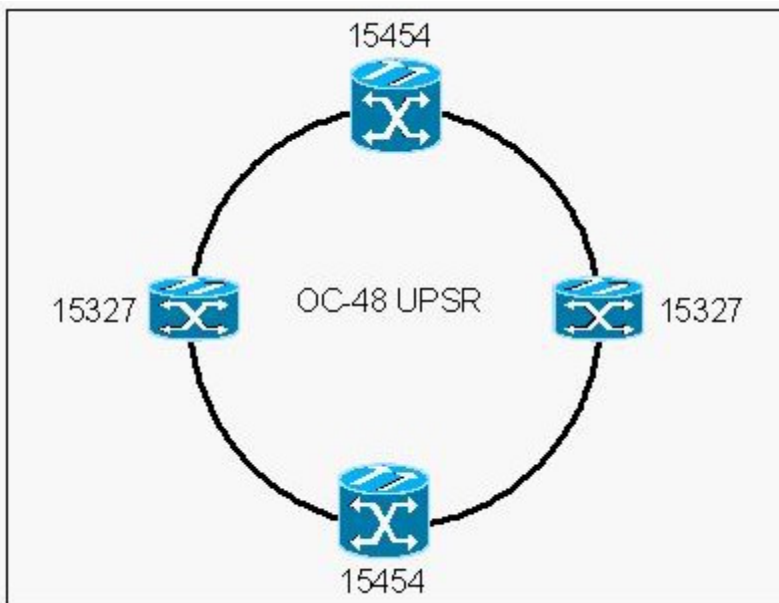
13.Click the Exhibit button. A customer has improperly installed a 2-node OC-12 SRP ring using dark fiber. Based on the printout from each node shown in the exhibit, what is the problem?



- A. Misconfigured timing
- B. Single faulty span or fiber between nodes
- C. A-B side SRP interfaces are fiber-looped on each node
- D. A-B side TX-TX and RX-RX fibers connected between nodes
- E. A-A and B-B side SRP interfaces connected between nodes

Correct: C

14. Click the Exhibit button. Which are the two possible circuit sizes for an E-series shared packet ring in the network shown in the exhibit?



- A. STS-1
- B. STS-3c

- C.STS-6c
- D.STS-9c
- E.STS-12c

Correct:A B

15.Click the Exhibit button to view the configuration. Upon deleting an IOS image file from flash, an execution of show flash shows the file still in flash, with a 'D' preceding it (as shown in the exhibit). What step must be taken in order to remove the file completely?

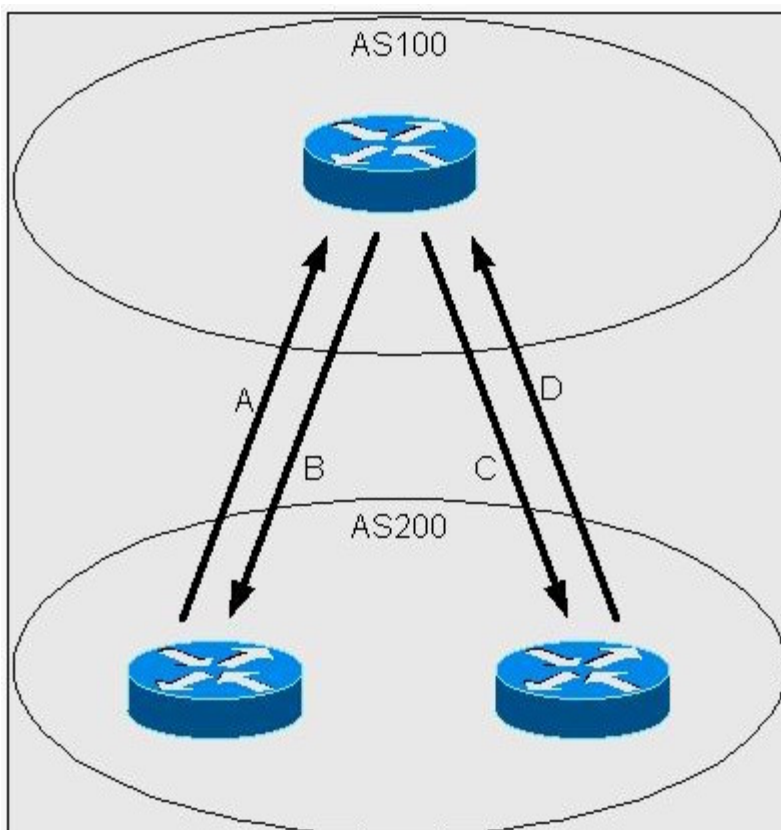
```

stillab-8510>sh bootflash
-#- ED --type-- --crc--- -seek-- nlen -length- ----date/time----- name
1  .. unknown 9DA13DA5 3576AC 31 3241516 Aug 22 1998 08:34:22 cat8510c-in
2  .D unknown 8CDE134F 453BA3 22 2494584 Jul 20 1997 09:33:02 cat8510b-in
    
```

- A.Erase the file from flash
- B.Format the flash device
- C.Replace the flash card - it is defective
- D.Execute a squeeze command on the flash device

Correct:D

16.Click the Exhibit button to view the topology. According to the diagram, what attribute is initiated by AS200 (IBGP) to give preference to the path A or D traffic will take when going from AS200 to AS100 . What attribute is initiated by AS200 (EBGP) to give preference to the path B or C traffic will take when going from AS100 to AS200?



- A.MED; Origin
- B.MED; Local Preference
- C.Community; Origin
- D.Local Preference; MED
- E.Origin; Community

Correct:D

17.Which three events might you diagnose as the cause of a line switching event?

- A.Loss of signal and frame
- B.Line AIS (all ones in STS pointer)
- C.Routine exercises
- D.Excessive signaling messages
- E.Excessive bit errors in overhead
- F.Switched photon elements

Correct:A B E

18.While entering commands on a console, the break key is pressed accidentally and the router reboots. What action could disable this problem?

- A.In configuration mode, enter disable break.
- B.In configuration mode, enter no service break.
- C.Change the configuration register.
- D.Replace the router - this is an invalid response to pressing the break key when past 60 seconds after boot.

Correct:C

19.What is NOT an ATM class of service?

- A.CBR
- B.VBR-t
- C.ABR
- D.UBR
- E.CAR

Correct:E

20.What describes a technique, used to encapsulate voice (NOT data) over ATM?

- A.RFC 1483
- B.LANE
- C.AAL-1
- D.RFC 1577

Correct:C