

# T estpassport問題集



---

更に上のクオリティ      更に上のサービス

一年で無料進級することに提供する  
[Http://www.testpassport.jp](http://www.testpassport.jp)

**Exam** : **642-052**

**Title** : Routing and Switching  
SE/FE

**Version** : DEMO

**1.What is the purpose of the dialer-list command when configuring a router to initiate a dial-on-demand routing ISDN call?**

- A.It defines call destination parameters.
- B.It defines what constitutes interesting traffic.
- C.It provides for optional call parameters.
- D.It assigns a dialer-group to an interface.

**Correct:B**

**2.What are three disadvantages of a router-on-a-stick configuration for InterVLAN routing? (Choose three.)**

- A.InterVLAN routing cannot be filtered by the router.
- B.The router becomes a single point of failure for the network.
- C.Routers will not route STP BPDUs.
- D.There is a possibility of inadequate bandwidth for each VLAN.
- E.Additional overhead on the router can occur.
- F.NetFlow Switching is required for InterVLAN accounting.

**Correct:B D E**

**3.What are two purposes of the ACL sub-command in the crypto isakmp client configuration group {group-name | default} command? (Choose two.)**

- A.enables split tunneling
- B.disables split tunneling
- C.indicates the protected range
- D.indicates the unprotected range

**Correct:A C**

**4.Which two routers support the use of Etherswitch modules and provide power to IP phones with the use of an external power supply? (Choose two.)**

- A.Cisco 2650
- B.Cisco 2691
- C.Cisco 3725
- D.Cisco 3745

**Correct:A B**

**5.You have been asked to provide a router with thirty 10/100 Ethernet interfaces and room for more for future growth. The router must also provide security in the form of firewalls for each Ethernet interface.Which router should you install?**

- A.Cisco 7206
- B.Cisco 7304
- C.Cisco 7513
- D.Cisco 7603

**Correct:D**

**6.What does the Cisco 3725 have?**

- A.2 network module slots, 3 VWIC slots, and 2 AIM slots
- B.1 network module slot, 3 VWIC slots, and 2 AIM slots
- C.3 network module slots, 2 VWIC slots, and 2 AIM slots
- D.2 network module slots, 3 VWIC slots, and 3 AIM slots

**Correct:A**

**7.Which QoS technique avoids the problems that occur when tail drop is used as the congestion avoidance mechanism on the router?**

- A.RSVP
- B.WRED
- C.CAR
- D.CBWFQ

**Correct:B**

**8.Which command displays the number of successful and failed calls?**

- A.show dialer
- B.show interface
- C.show isdn q931
- D.show isdn active call

**Correct:A**

**9.Which technology allows a service provider to support overlapping customer VLAN IDs over transparent LAN services?**

- A.802.1q tunneling
- B.ATM
- C.SDH
- D.IP+Optical

**Correct:A**

**10.Which implementation of SPAN is designed to support source ports, source VLANs, and destination ports across different switches?**

- A.RVSPAN
- B.MSPAN
- C.VSPAN
- D.RSPAN

**Correct:D**

**11.Given the configuration:access-list 101 permit ip any anyaccess-list 101 deny tcp any any eq ftpdialer-list 2 protocol ip list 101Which two statements about the configuration are true with respect to FTP traffic and DDR? (Choose two.)**

- A.FTP traffic will be forwarded.
- B.FTP traffic will not be forwarded.
- C.FTP will cause the line to come up.
- D.Since FTP uses two sockets, both must be defined to prevent packet forwarding.

**Correct:A C**

**12.Which three statements are correct with regard to the IEEE 802.1Q standard? (Choose three.)**

- A.the packet is encapsulated with a 26 byte header and a 4 byte FCS
- B.the IEEE 802.1Q frame format adds a 4 byte field to a Ethernet frame
- C.the IEEE 802.1Q frame retains the original MAC destination address
- D.the IEEE 802.1Q frame uses multicast destination of 0x01-00-0c-00-00
- E.protocol uses point-to-point connectivity
- F.protocol uses point-to-multipoint connectivity

**Correct:B C E**

**13.What feature of the EZ VPN Remote makes it desirable to have Proxy DNS server support for**

**the PCs attached to the VPN?**

- A.Client mode with connect auto
- B.Client mode with connect manual
- C.Network Extension mode with connect auto
- D.Network Extension mode with connect manual

**Correct:B**

**14.Drag Drop question**

Drag and drop the ISDN term in the options column to the related term in the target column.

U interface	four wires
TE1	two wires
R interface	non-ISDN device
S/T interface	TE2 to TA
TE2	native ISDN device

**Correct:**

**Green choice4---->Yellow Choice1**

**Green choice1---->Yellow Choice2**

**Green choice5---->Yellow Choice3**

**Green choice3---->Yellow Choice4**

**Green choice2---->Yellow Choice5**

**15.What is the default action of authentication when AAA is enabled but authentication is not set?**

- A.Allow a user to access all resources after login.
- B.Disallow a user from access to all resources after login.
- C.Record all access of resources and who long the user accessed each resources.
- D.Not to record any access of resources the users accessed after login.
- E.Allow any user to login without checking the authentication database.
- F.Disallow any user from logging in with or without a valid username and password.

**Correct:F**

**16.Which two commands assign multiple ISDN BRI interfaces to a single hunt group? (Choose two.)**

- A.dialer-group
- B.multilink ppp
- C.interface dialer
- D.dialer hunt-group
- E.dialer rotary-group

**Correct:C E**

**17.What is a primary difference between PPPoA and either PPPoE or RFC 1483 Bridge encapsulation methods?**

- A.PPPoA requires host-based client software to provide connectivity and authentication.
- B.PPPoA does not support session authentication with the aggregation router.
- C.PPPoA is routed end-to-end from the user's PC (or local router) over ATM to the aggregation router.
- D.PPPoA provides simple bridged connections for an unlimited amount of hosts.

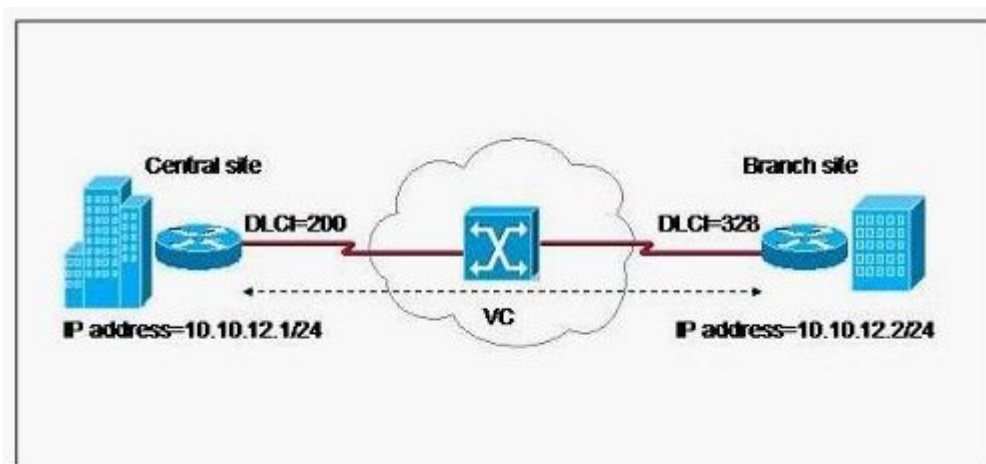
**Correct:C**

**18.Which command verifies Frame Relay traffic-shaping parameters?**

- A.show frame-relay pvc
- B.show frame-relay status
- C.show frame-relay interface
- D.show frame-relay map-class

**Correct:A**

**19.From the figure, which frame-relay map command would configure a static address mapping from the central site to the branch site?**



- A.frame-relay map ip 10.10.12.2 328 broadcast ietf
- B.frame-relay map ip 10.10.12.2 200 broadcast cisco
- C.frame-relay map ip 10.10.12.1 200 broadcast cisco
- D.frame-relay map ip 10.10.12.1 328 broadcast ietf

**Correct:B**

**20.How does a Layer 2 switch handle multicast traffic, by default?**

- A.It blocks multicast traffic on all ports.
- B.It delivers multicast traffic to all ports.
- C.It delivers multicast traffic only to ports that subscribe to it.
- D.It delivers multicast traffic only to clients that are a member of a multicast group.

**Correct:B**