

T estpassport問題集



更に上のクオリティ 更に上のサービス

一年で無料進級することに提供する
[Http://www.testpassport.jp](http://www.testpassport.jp)

Exam : **HP0-045**

Title : Supporting the ESL
E-Series Lobraries

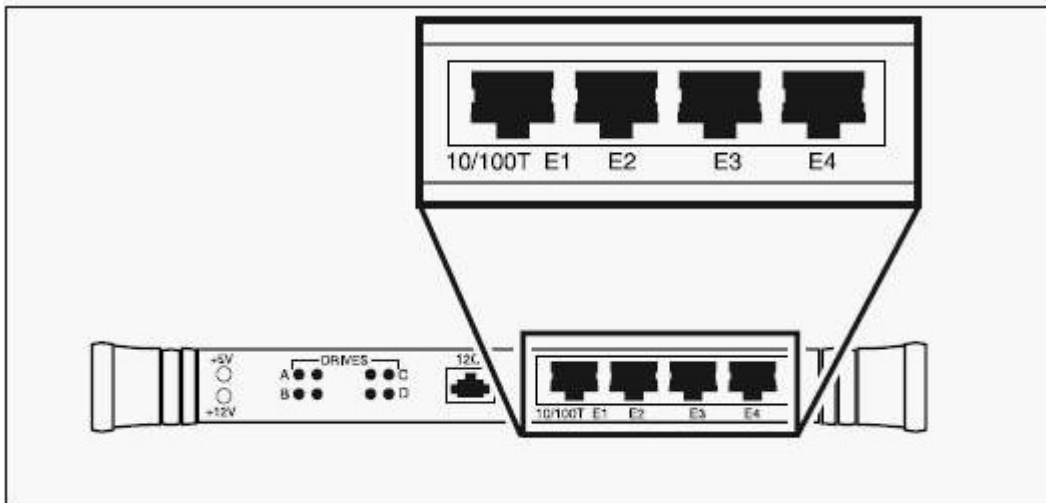
Version : DEMO

1.What is required to access the Advanced Secure Manager features in Command View ESL?

- A.the appropriate license key
- B.valid user access permissions
- C.a special administrator password
- D.a suitable advanced user account

Correct:A

2.Click the Exhibit button. Which component is connected to port E1 of the cluster controller if it is in drive cluster 0?



- A.cabinet controller
- B.interface controller
- C.lower cluster controller
- D.Interface Manager card

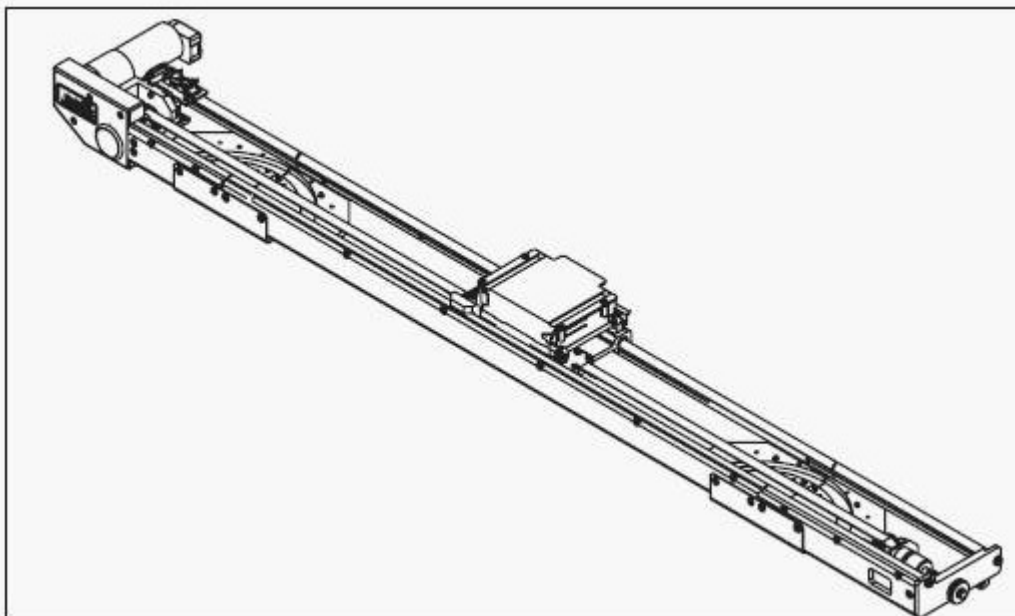
Correct:A

3.What does the OCP display when a library hangs because there are more than one hundred unlabeled tape cartridges in the library?

- A.Error 22
- B.Please wait
- C.Going on line
- D.Inventory failure

Correct:C

4.Click the Exhibit button. Which tape library component (used to carry data cartridges to a secondary cabinet) is shown on the figure?



- A. CLM arm
- B. CLM controller
- C. picker assembly
- D. cartridge transfer robot

Correct:A

5. Which scheme is used in the command line interface for drive and slot numbers in ESL E-Series tape libraries?

- A. 0 based
- B. 1 based
- C. 2 based
- D. Hex based

Correct:B

6. Which port number is required when starting a Command View TL session?

- A. 2301
- B. 4095
- C. 4444
- D. 5555

Correct:B

7. You are performing a firmware upgrade using Command View TL and a Telnet session terminates it prematurely. What is the most likely outcome?

- A. The Telnet session is automatically aborted.
- B. Telnet automatically aborts the other session, but the upgrade continues.
- C. Command View TL takes precedence and continues the firmware upgrade.
- D. The firmware upgrade aborts and the device being upgraded may need physical repair.

Correct:D

8. What does the cabinet controller assembly of an ESL E-Series tape library provide a SCSI interface to?

- A. tape devices

- B.library robotics
- C.management interface card
- D.e2400-160 Interface Controller

Correct:B

9.Which capabilities of a TCP/IP connection are delivered by the Simple Internet Protocol Plus (SIPP)?

- A.small packets and ECC
- B.error handling and retries
- C.increased bandwidth and performance
- D.faster command propagation on inexpensive copper interconnect

Correct:B

10.For which connection, other than the cabinet controller, is the I2C network cable used?

- A.external LANs
- B.cluster controllers
- C.interface management cards
- D.Fibre Channel interface controllers

Correct:B