

T estpassport問題集



更に上のクオリティ 更に上のサービス

一年で無料進級することに提供する
[Http://www.testpassport.jp](http://www.testpassport.jp)

Exam : **HP0-P19**

Title : HP-UX High Availability
Using Serviceguard v18

Version : Demo

1. Which components are considered potential single points of failure within a single HP-UX server?

(Select four.)

- A. SAN
- B. memory
- C. backplane
- D. DVD drive
- E. LAN interfaces
- F. mirrored root disks
- G. system administrator
- H. redundant power supply
- I. Fibre Channel Host Bus Adapter

Answer: BCEI

2. Which statement is correct concerning the difference between a local Serviceguard cluster and an extended distance cluster (also known as a campus cluster)?

- A. An extended distance cluster provides disaster tolerance across two data centers located on different continents.
- B. An extended distance cluster solution typically requires a physical data replication mechanism between high end storage arrays.
- C. An extended distance cluster solution typically uses host based disk mirroring between two computer rooms in an IT environment.
- D. An extended distance cluster is a separate product installation to implement High Availability between two computer rooms in a IT environment.

Answer: C

3. Consider the following entry in the /etc/rc.config.d/cmcluster file.

```
AUTOSTART_CMCLD=1
```

Which parameter in the cluster ascii file is affected by this entry?

- A. CMCLD_TIMEOUT
- B. CMCLD_RUN_START
- C. AUTOSTART_CMCLD
- D. AUTOSTART_TIMEOUT

E. HEARTBEAT_INTERVAL

Answer: D

4. What is the function of the lock disk or Quorum server in a Serviceguard cluster?

- A. prevents split brain syndrome
- B. determines which node becomes the cluster coordinator
- C. ensures that quorum is present the entire time the cluster is up
- D. keeps a record of volume groups that are locked in exclusive mode

Answer: A

5. Click the Exhibit button.

Based on the cmviewcl output, which statement is correct?

- A. A failure of ora_lsnr will cause alien_pkg to failover.
- B. A single failure of oracle9i will cause alien_pkg to failover.
- C. The subnet 192.168.1.0 going down will cause alien_pkg to failover.
- D. A failure of either ora_lsnr or oracle9i will cause alien_pkg to failover.

Answer: C

6. When implementing a legacy package utilizing application monitoring, which variable in the package control script will point to the monitor script?

- A. service_cmd
- B. SERVICE_CMD
- C. MONITOR_CMD
- D. MONITOR_NAME

Answer: B

7. Which application templates are included in the Enterprise Cluster Master Toolkit (ECMT)? (Select four.)

- A. NFS
- B. SAP
- C. SAPDB
- D. HP Tomcat
- E. HP Apache
- F. HP CIFS/9000

G. Oracle 9i and 10g

Answer: DEFG

8. Which statements are true regarding Serviceguard Manager version 5.01? (Select three.)

- A. Serviceguard Manager is a graphical user interface for the Serviceguard product.
- B. With Serviceguard Manager you can monitor, administer, and configure clusters managed by Serviceguard.
- C. With Serviceguard Manager you can run a multinode cluster which consists of both HP-UX and Linux nodes.
- D. With Serviceguard Manager you can change package-switching and node-switching flags for failover packages.
- E. With Serviceguard Manager you can install Serviceguard software product on hosts managed by HP Systems Insight Manager (HP SIM).

Answer: ABD

9. In the context of high availability, which phrase describes Mean Time Between Failure (MTBF)?

- A. mean time to restart a failed service
- B. mean time to repair a server after a failure
- C. mean time to restart a server after a failure
- D. mean time a system provides service without failure

Answer: D

10. In the context of high availability, which phrase describes Mean Time To Repair (MTTR)?

- A. mean interval of time to resume a service after a failure
- B. mean time a service engineer needs to repair a failed server
- C. mean interval of time when the system provides service without fault
- D. mean time a service engineer needs to replace a server after a failure
- E. mean time a service engineer needs to arrive at the site of a failed server

Answer: A

11. In the context of high availability, which statements are true regarding split-brain syndrome? (Select two.)

- A. It can occur on a 2-node cluster.
- B. It can occur on a 3-node cluster.

- C. It allows different applications to simultaneously access the same disk.
- D. It allows different partitions to access the same disk without knowledge of each other.
- E. It is caused when two clusters initiate an application that accesses the same disk simultaneously.
- F. It is caused when two equal size sub-clusters form from a single cluster without knowledge of each other.

Answer: AF

12. An e-ticketing application based on Apache webserver for a busy tourist market experiences failures during peak season, resulting in loss of revenues.

Which product combination implements a solution that improves availability of the e-ticketing application?

(Select two.)

- A. HP Serviceguard
- B. Continental Clusters
- C. HP Serviceguard Extension for SAP
- D. Enterprise Cluster Master Toolkit
- E. HP Serviceguard Extension for RAC

Answer: AD

13. Which statements are true regarding High Availability (HA)? (Select three.)

- A. Downtime is any amount of time when the application is unavailable (planned or unplanned).
- B. HA systems provide a disaster tolerant solution that allows recovery from the loss of an entire data center.
- C. Unplanned downtime is caused by a failure of a non-redundant hardware component on a cluster node.
- D. Metrocluster and Extended Campus Cluster solutions provide the same level of protection as a local HA solution in case of environmental disasters.
- E. HA is a combination of environmental, process, software, and computing hardware enhancements that maximize the time that the application and system are available.
- F. Highly available systems typically contain data redundancy through mirroring or RAID, some kind of backup system hardware, power outage protection, and multiple LANs.

Answer: AEF

14. Which products offer a solution to protect from failure of a complete data center? (Select three.)

- A. Metrocluster
- B. Serviceguard
- C. Continentalclusters
- D. Extended Campus Cluster
- E. Enterprise Cluster Master Toolkit

Answer: ACD

15. In which situations can a local high availability solution prevent unplanned downtime? (Select two.)

- A. An operator accidentally reboots a cluster node.
- B. The shared storage component loses A/C power and goes down.
- C. A complete data center goes down because of an environmental disaster.
- D. The network communication between the cluster nodes is permanently interrupted.
- E. The clustered application database becomes corrupted by installation of an application patch.

Answer: AD

16. What is the purpose of the cluster interconnect in a Serviceguard extension for Oracle RAC implementation? (Select two.)

- A. Nodes can use it for cluster heartbeat traffic.
- B. Nodes coordinate the shared storage status.
- C. Oracle single instances coordinate their online/offline status.
- D. Oracle RAC instances coordinate the consistency between their Oracle buffer cache.

Answer: AD

17. What are the main features of OL* (OnLine Replacement, Addition, and Deletion)? (Select two.)

- A. ability to replace a cell board on an HP-UX system that supports OL*
- B. ability to repair a PCI I/O card on an HP-UX system that supports OL*
- C. ability to online replace a PCI I/O card on an HP-UX system that supports OL*
- D. ability to online remove a PCI(-X) card on an HP-UX system that supports OL*
- E. ability to online replace an HP-UX system that supports OL* while it is configured in a Serviceguard cluster
- F. ability to online remove a PCI(-X) LAN card and afterwards to online add a PCI(-X) FC HBA in the same PCI(-X) slot on an HP-UX system that supports OL*

Answer: CD

18. What does OL* (OnLine Replacement, Addition, and Deletion) provide?

- A. online replacement, addition, and deletion of vPARs
- B. online replacement, addition, and deletion of PCI(-X) I/O cards
- C. online replacement, addition, and deletion of cell boards in cell based systems
- D. online replacement, addition, and deletion of PCI(-X) I/O cards and core I/O cards

Answer: B

19. A customer has a 2-node HP Serviceguard cluster running a mission critical Oracle database and a financial application. At the end of each month the server utilization spikes with no idle CPU resources and there is a need for additional capacity.

Which HP Virtual Server Environment offering provides additional capacity and is best in this situation?

- A. Capacity Advisor
- B. Instant Capacity (iCAP)
- C. Integrity Virtual Machines
- D. Global Workload Manager (gWLM)
- E. Temporary Instant Capacity (TiCAP)

Answer: E

20. When a Serviceguard package fails over in a highly available vPar environment, Workload Manager (WLM) integrates with Serviceguard and disaster tolerant solutions by doing which process?

- A. WLM creates a new vPar to assume the load of the failed partition.
- B. cmcld creates a new vPar to assume the load of the failed partition.
- C. WLM moves processor resources from one virtual partition to another.
- D. cmcld moves processor resources from one virtual partition to another.
- E. WLM can move a Serviceguard package from one virtual partition to another.

Answer: C

21. In a Serviceguard implementation for concurrent instances of an Oracle RAC Database, which type of shared storage management can be used on all nodes in the cluster? (Select three.)

- A. Cluster File System (CFS)
- B. Veritas Volume Manager (VxVM)
- C. Network Attached Storage (NAS)
- D. Shared Logical Volume Manager (SLVM)

- E. Standard Logical Volume Manager (LVM)
- F. Enterprise Logical Volume Manager (ELVM)
- G. Oracle Automatic Storage Management (ASM)

Answer: ADG

22. Your customer wants you to design an HA solution with HP-UX and Serviceguard that runs the customer's Business Critical SAP production system as Serviceguard package, pkgA, and the customer's Development SAP system as Serviceguard package, pkgB.

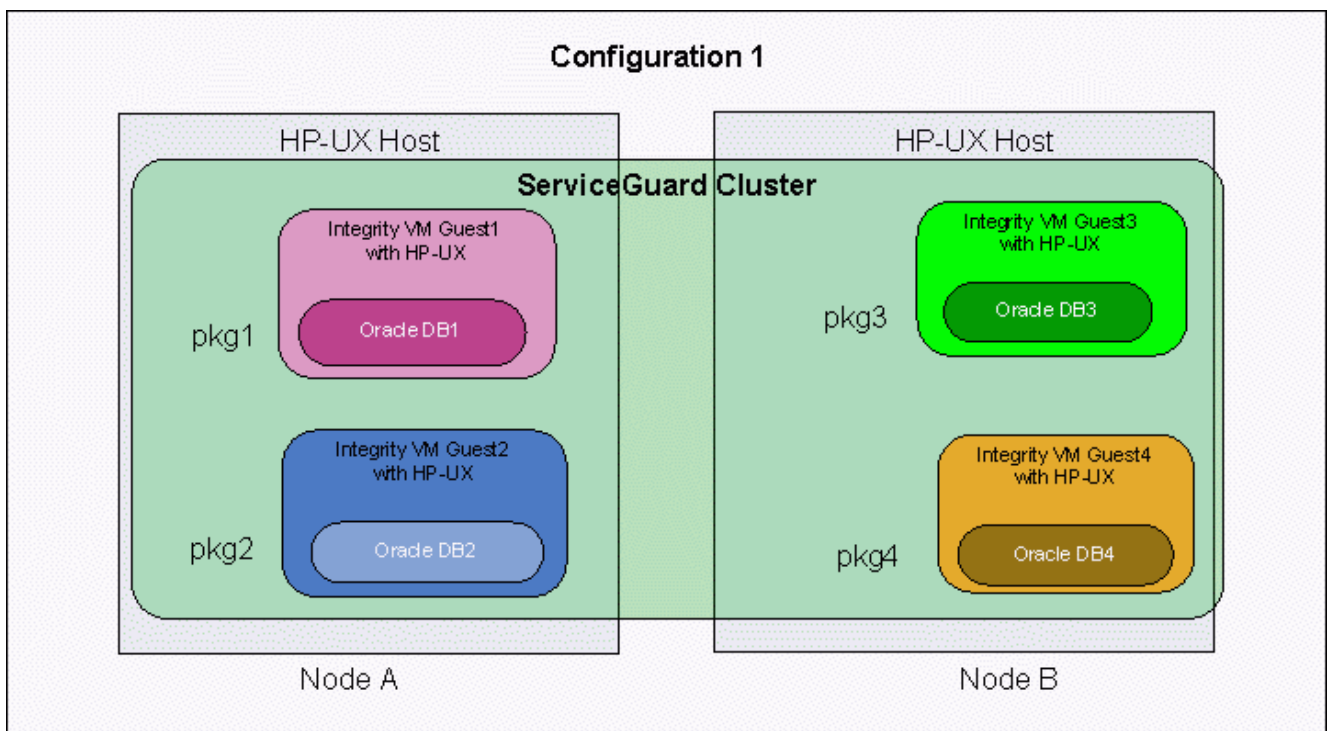
You design two vPars (vpar1 and vpar2) on serverA and two vPars (vpar3 and vpar4) on serverB.

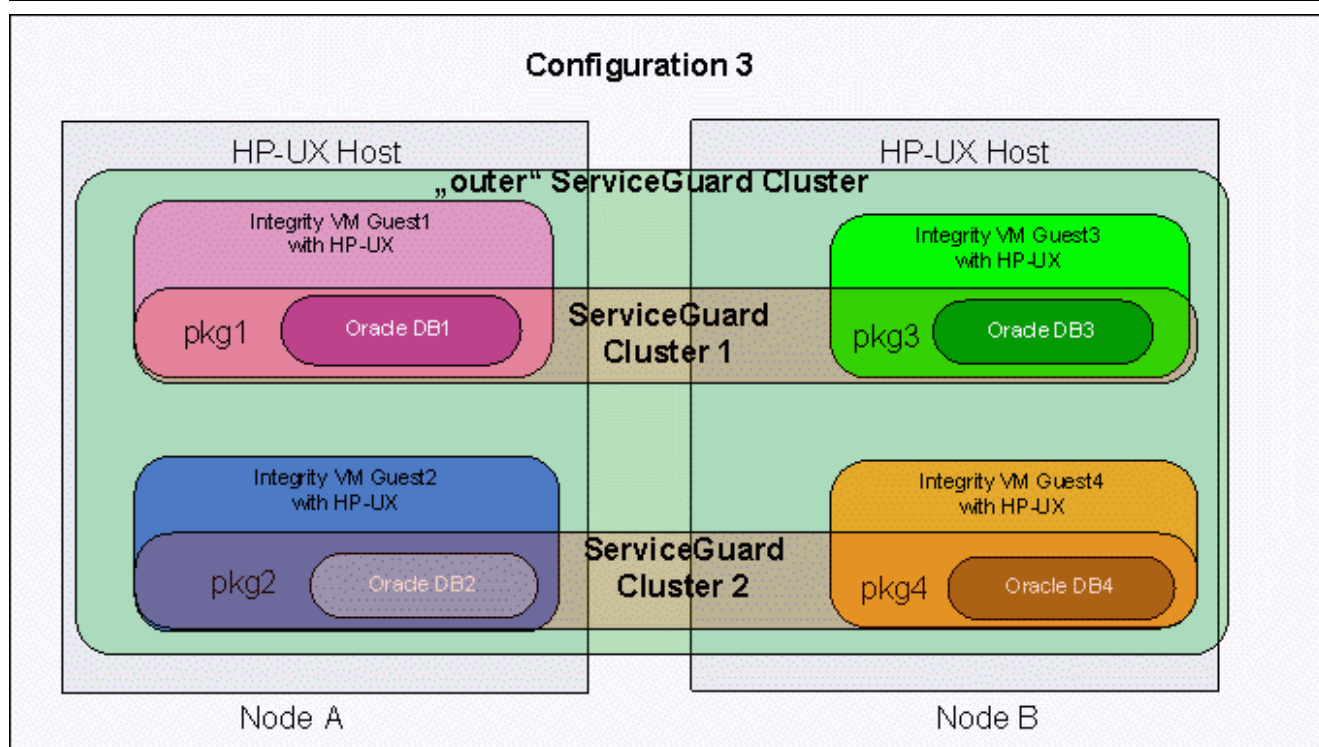
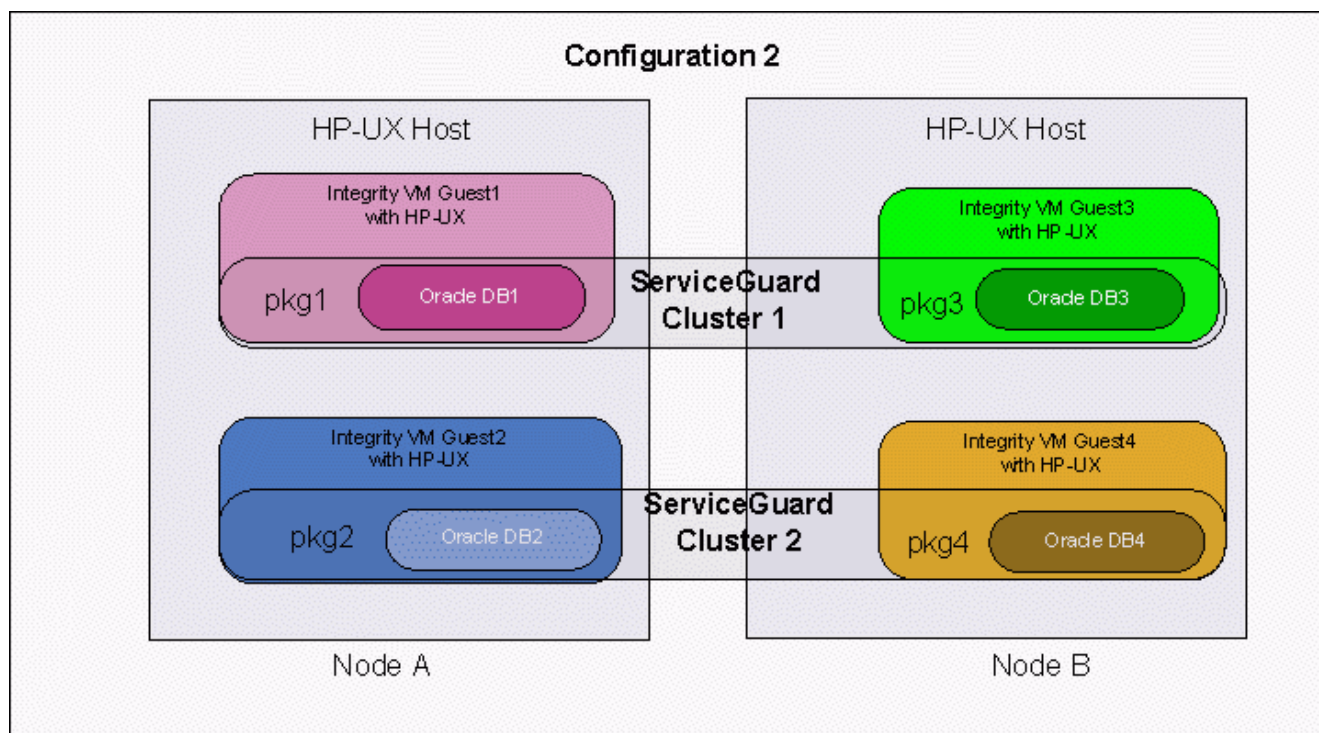
What is a good design for this cluster to provide the maximum high availability? (Select two.)

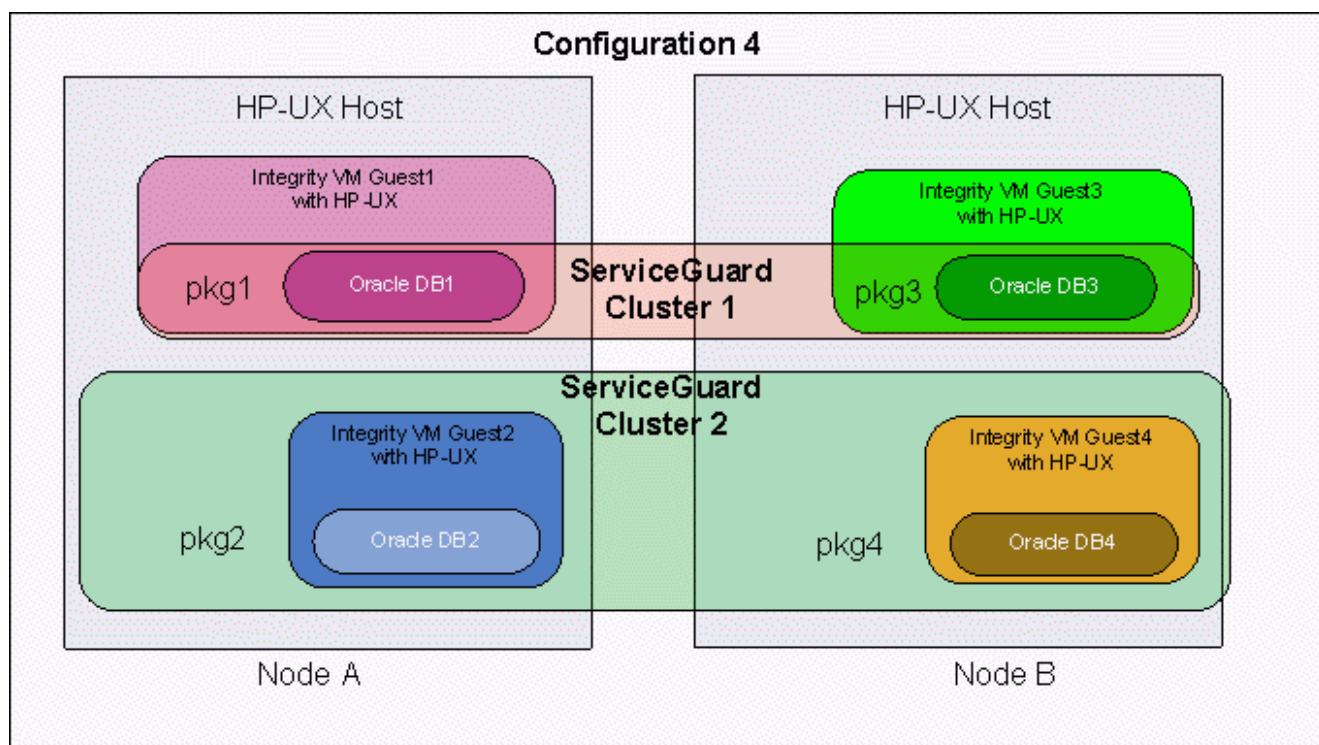
- A. Cluster vpar1 and vpar2 and run pkgA on these clustered vPars.
- B. Cluster vpar1 and vpar3 and run pkgA on these clustered vPars.
- C. Cluster vpar2 and vpar4 and run pkgB on these clustered vPars.
- D. Cluster vpar3 and vpar4 and run pkgB on these clustered vPars.

Answer: BC

23. Which configurations are valid for a Serviceguard environment in combination with Integrity Virtual machines? (Select two.)







- A. Configuration 1
- B. Configuration 2
- C. Configuration 3
- D. Configuration 4

Answer: AB

24. What are potential single points of failure (SPOF) in an HP-UX system? (Select four.)

- A. hard disk drive
- B. operating system
- C. system administrator
- D. redundant power supply
- E. CPU on a Uniprocessor system
- F. multi-port network interface card
- G. alternate link to a disk in a shared volume group

Answer: ABEF

25. What are advantages of RAC cluster? (Select three.)

- A. increases user scalability
- B. increases database security
- C. supports larger database size

- D. increases hardware scalability
- E. increases database availability
- F. increases application scalability
- G. decreases package failover time

Answer: DEF

26. You are asked by your management team to do a presentation and explain why your IT department should go with the SGeRAC solution instead of the standard single-instance Oracle implementation with Serviceguard.

Which benefits should you present? (Select two.)

- A. reduces the overall cost
- B. increases the security level
- C. provides easier cluster management
- D. reduces recovery time of a large database
- E. provides the ability to add more nodes to the cluster on the fly
- F. increases processing power without the need to administer separate databases

Answer: DF

27. What are potential single points of failure (SPOF) in an HP-UX environment? (Select two.)

- A. backplane of a cell based server when two vPARs are clustered with Serviceguard over two physical nodes
- B. backplane of a cell based server when two vPARs are clustered with Serviceguard on the same physical node
- C. cellboard on a partitioned node with two nPARs that are clustered with Serviceguard on the same physical node
- D. cellboard on a single-nPar node with two vPARs that are clustered with Serviceguard on the same physical node

Answer: BD

28. What are the advantages with respect to application availability for a customer using Serviceguard in an HA environment? (Select two.)

- A. Application database corruptions will be minimized.
- B. An upgrade of the operating system will only require a package switch.

- C. A power outage in the customer's computer room will not affect the users.
- D. Rolling upgrades of the application can be performed in a Serviceguard environment.
- E. A failure in a redundant power supply will only cause a package switch to the adoptive node.

Answer: BD

29. Which failure scenarios are transparent to application users when the application is running as a Serviceguard package? (Select two.)

- A. A LAN interface fails on a node where no package is running.
- B. A complete power outage in the computer room where the cluster is located.
- C. A redundant power supply fails in the cluster node running the application package.
- D. Manual application package switch because of planned downtime on the cluster node.
- E. The cluster node running the application package crashes because of a memory multibit error.

Answer: AC

30. Which situations does Serviceguard provide high availability solutions for? (Select two.)

- A. LAN card failure
- B. application failure
- C. client subnet goes down
- D. poor application performance
- E. failure of one of the LUN paths to shared storage

Answer: AB