

T estpassport問題集



更に上のクオリティ 更に上のサービス

一年で無料進級することに提供する
[Http://www.testpassport.jp](http://www.testpassport.jp)

Exam : **jn0-522**

Title : **FXV,Associate
(JNCIA-FWV)**

Version : **Demo**

1.Your VPN tunnel does not pass traffic. You run the get ike cookie command and discover that there is no cookie. Which two should be verified? (Choose two.)

- A.routes
- B.Phase 1 configuration options
- C.Phase 2 configuration options
- D.selected quick mode encryption algorithms

Answer:A B

2.Which ScreenOS CLI policy statement keyword would enable a policy only during specified times, days, and/or dates?

- A.at
- B.calendar
- C.schedule
- D.scheduler

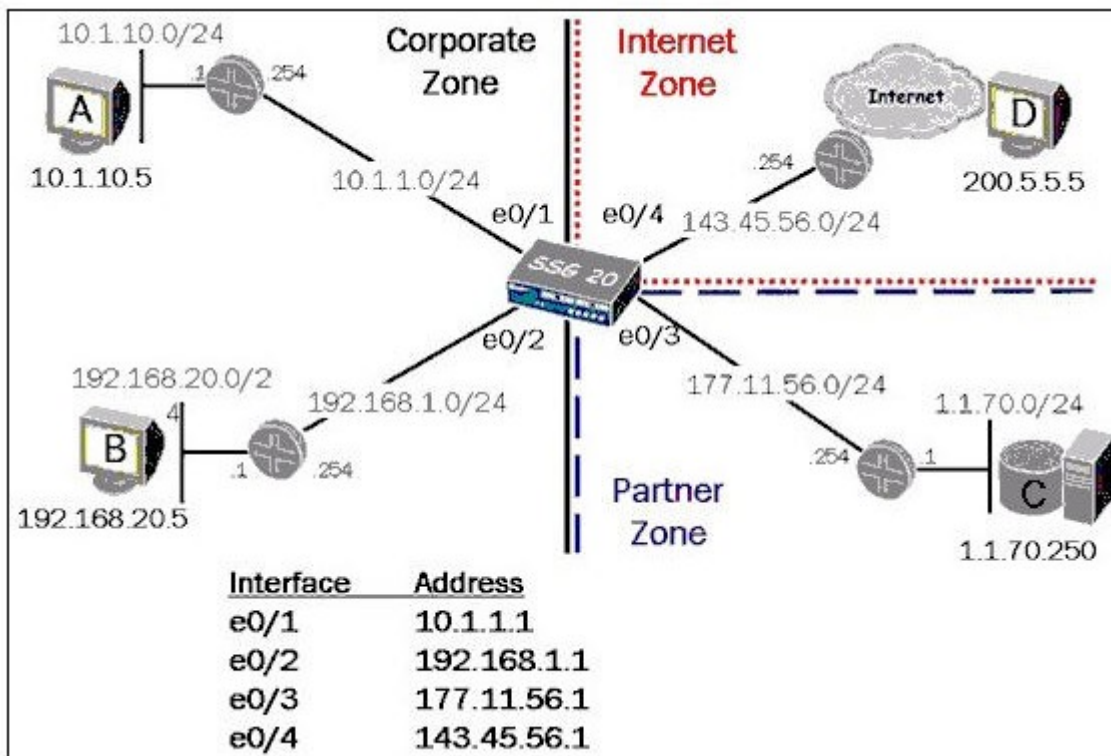
Answer:C

3.Which ScreenOS CLI command would be used to view traffic logs?

- A.get traffic
- B.get log policy
- C.get policy log
- D.get log traffic

Answer:D

4.Click the Exhibit button. In the exhibit, if host A initiates a Web browsing session with host D, and the E0/1 interface of the SSG 20 is in NAT mode, what will be the source address of the packet arriving at host D?



- A.10.1.1.1
- B.10.1.10.5

- C.143.45.56.1
- D.143.45.56.254

Answer:C

5.You enter the following command: set int e0/8 mip 1.1.8.32 host 10.1.10.32 netmask 255.255.255.255
How many MIP address translations have you just configured?

- A.1
- B.8
- C.128
- D.256

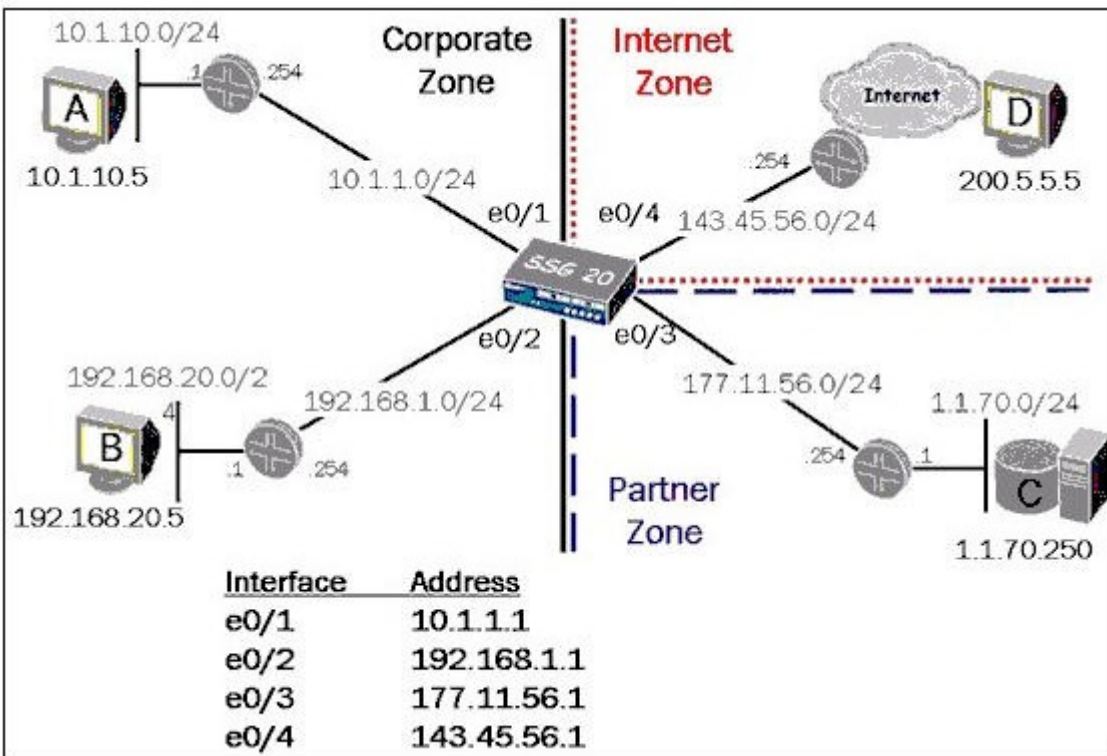
Answer:A

6.What needs to be configured in Phase 2 of a route-based VPN, that does not need to be configured in a policy-based VPN?

- A.proxy-id
- B.tunnel-binding
- C.transport mode
- D.custom proposals

Answer:B

7.Click the Exhibit button. In the exhibit, what is the correct address book entry for host C?



- A.set address C 1.1.70.250/32
- B.set address Partner C 1.1.70.250
- C.set address Partner 1.1.70.250/32
- D.set address Partner C 1.1.70.250/32

Answer:D

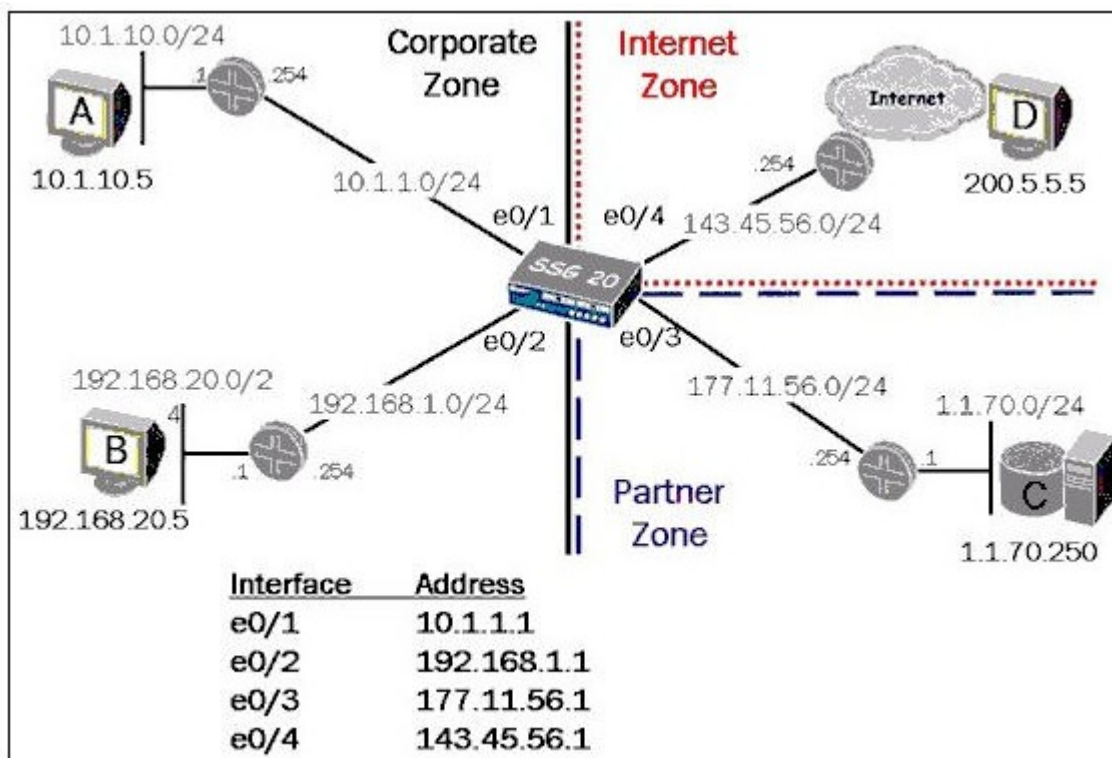
8.What are two benefits of configuring a ScreenOS device in transparent mode? (Choose two.)

- A.There is no need to reconfigure the IP addresses of routers or protected servers.

- B. There is no need to create MIPs or VIPs for incoming traffic to reach protected servers.
- C. Policies are easier to create since you do not have to include source and destination IP addresses.
- D. The product can support more VPNs and obtain greater throughput because there is less overhead to manage.

Answer: A B

9. Click the Exhibit button. In the exhibit, what is the correct command to configure a default route on the SSG 20?



- A. set route 0.0.0.0/0 vrouter untrust
- B. set route 0.0.0.0/0 interface e0/4 gateway 143.45.56.254
- C. set route 0.0.0.0/0 interface e0/4 next-hop 143.45.56.254
- D. set route 0.0.0.0/0 interface 143.45.56.1 gate 143.45.56.254

Answer: B

10. Which statement is correct about tunnel interfaces?

- A. They can have overlapping IP addresses.
- B. They need to be configured in the zone where the protected resources reside.
- C. They can be unnumbered and used in policy-based translations if the interface is in route mode.
- D. They can be unnumbered from any interface residing on the same virtual router as the protected resources.

Answer: D

11. You want to minimize the number of IP addresses, subnets, and policies in use. How should you configure your tunnel interface?

- A. Configure the tunnel interface with an IP address with a 32 bit subnet mask.
- B. Configure the tunnel interface with an IP address with a 30 bit subnet mask.
- C. Configure the tunnel interface as unnumbered and place the interface in the same zone as the designated interface.

D.Configure the tunnel interface as unnumbered, but place the tunnel interface in a different zone than the designated interface.

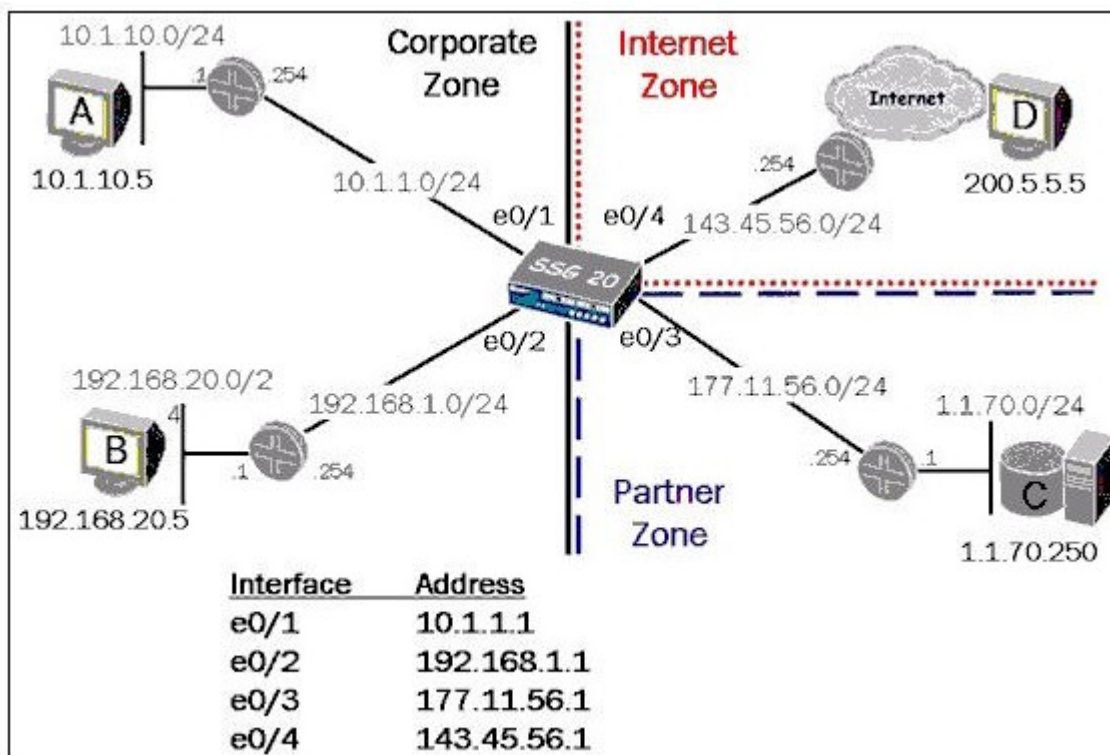
Answer:C

12.What is the purpose of the "Permitted IP" address on a ScreenOS device?

- A.It defines a list of addresses that are trusted to perform management on the ScreenOS device.
- B.It is used in policy rules to determine which user traffic is allowed through the ScreenOS device.
- C.It defines which range of addresses that can access devices connected to the ScreenOS device.
- D.It is the address that an external device uses to gain management access to a ScreenOS device.

Answer:A

13.Click the Exhibit button. Traffic from the Internet to the partner servers must use a VIP. In the exhibit, what is true about the configuration of this feature?



- A.You cannot use a VIP in this environment.
- B.The VIP can be configured on the e0/4 interface.
- C.The VIP can be configured in the Corporate or Internet zone using a different subnet than the physical interface.
- D.The VIP will work only if the destination ports in the incoming packet headers are mapped to the same ports in the Corporate zone.

Answer:A

14.Which ScreenOS CLI command is required to enable a policy during specified times, days, or dates?

- A.set time
- B.set clock
- C.set calendar
- D.set scheduler

Answer:D

15.Which ScreenOS CLI command would be useful for troubleshooting a policy deny?

- A.get flow debug
- B.debug flow basic
- C.exec flow analysis
- D.debug session basic

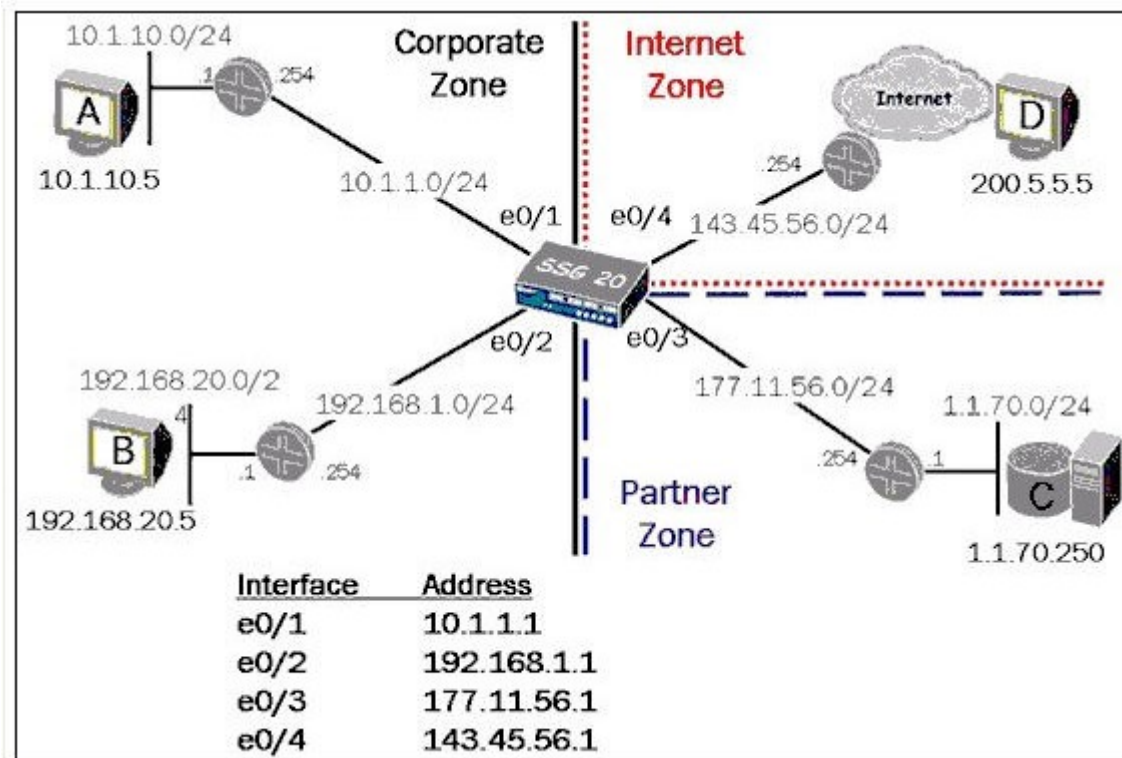
Answer:B

16.Assuming factory default settings, which statement describes the minimum requirements for WebUI management access to the SSG 5?

- A.Connect a PC addressed on the 192.168.1.0 subnet to any interface, open a browser and access 192.168.1.1.
- B.Terminate the bootup sequence from the console device, open a browser on the console device and access 192.168.1.1.
- C.Connect a PC addressed on the 192.168.1.0 subnet, to the highest numbered interface and open a browser and access 192.168.1.1.
- D.Using the CLI, define an IP address on a physical interface, connect a PC to the interface and open a browser to the interface address.

Answer:C

17.Click the Exhibit button. In the exhibit, which routing command would allow host A to communicate with host C? (Note: Assume a route from the SSG 20 to host A's subnet already exists.)



- A.set route 0.0.0.0/0 int e0/3 gateway 177.11.56.254
- B.set route 1.1.70.0 interface e0/3 gateway 177.11.56.254
- C.configure route 1.1.70.0/24 gateway 177.11.56.254 int e0/3
- D.set route 1.1.70.0/24 interface e0/3 gateway 177.11.56.254

Answer:D

18.Click the Exhibit button. In the exhibit, which two forms of address translation would have generated the output shown? (Choose two.)

```
srg-550-> get session
alloc 2/max 128000, alloc failed 0, mcast alloc 0, di alloc failed 0
total reserved 0, free sessions in shared pool 4061
id 38/s**,vsys 0,flag 04000010/0000/0001,policy 1,time 6, dip 2 module 0
  if 2(nspflag 800801):10.1.10.5/1936->100.5.5.5/80,6,000d60fc847c,sess token
4,vlan 0,tun 0,vsd 0,route 3
  if 1(nspflag 800800):1.1.8.15/1025<-200.5.5.5/80,6,0010db225ac9,sess token
6,vlan 0,tun 0,vsd 0,route 7
```

- A.MIP
- B.NAT-src with no DIP
- C.Interface-based translation
- D.NAT-src with a DIP, fixed-port disabled

Answer:B C

19.Which command can you use to view the log of IKE negotiations and results?

- A.get event type 536
- B.get ike cookie
- C.get sa active
- D.debug ike basic

Answer:A

20.What is the purpose of the VLAN1 interface?

- A.It provides policy-based NAT for 802.1Q VLANs.
- B.It provides an interface that can be used with 802.1Q VLANs in transparent mode.
- C.It provides the ScreenOS device with a routable IP address while operating in route mode.
- D.It provides an interface that can be used to remotely manage the ScreenOS device while operating in transparent mode.

Answer:D